

261v2 Ion Nozzle



Product Code: A261v2-32

Meech's Model 261v2 Ion Nozzle is a small, robust ioniser. It is suitable for installation into machinery and equipment used within industrial and cleanroom environments; providing fast static control and excellent dust removal. It is quick to install, using the optional mounting bracket. It is safe to use and meets OSHA dead-end pressure requirements.

It is powered by a Meech Model 233v3, 977CM or 977v3 Pulsed DC Controller.

Features

Benefits

Adjustable balance and frequency (Pulsed DC Controller)	Optimisation of performance and extended ionisation range
Rapid decay times	Very effective in high speed applications
Removable emitter pins	Easy to clean and replace. Minimum maintenance downtime and extended equipment life
Low air consumption	Economical use of compressed air
Small and compact	Easy to locate and install in confined spaces

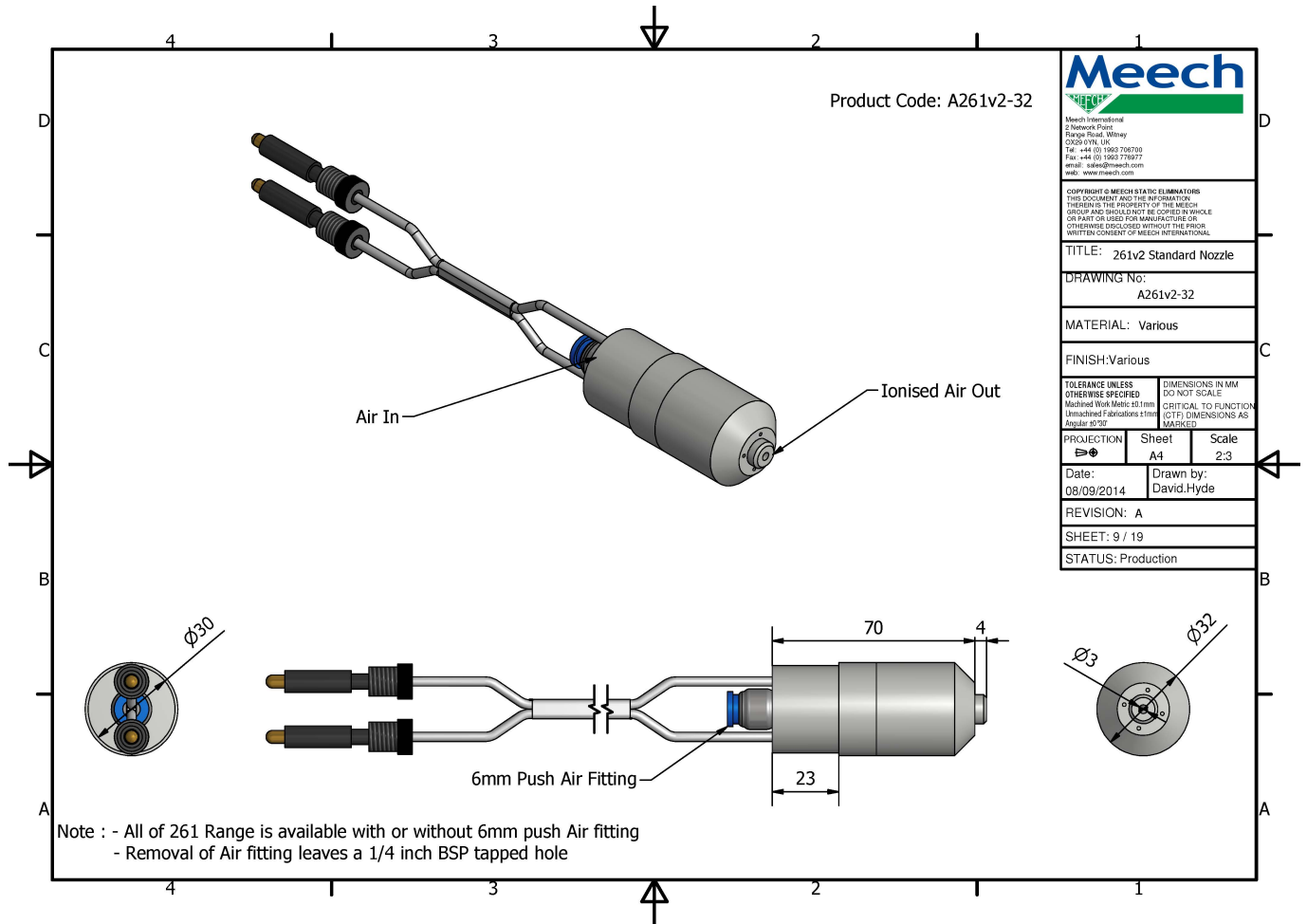
Technical Characteristics

Body	PTFE
Length	74mm
Diameter	32mm
Weight	0.06 kg (Without bracket)
Max Air Pressure Rating	100Psi (7 bar)
Typical Pressure	20 to 40Psi (1.5 to 3 Bar)
Noise Level (261v2-32)	68 dBA (20 Psi at 1m) (1.5 bar)
Emitter Pins	Machined titanium (7mm)
Decay Time	0.8 sec at 150mm at 30 Psi (2 bar) (1000V to 100V)
Ozone	Less than 0.01 ppm
Input Voltage	+/- 9kV DC Nominal
Ion Balance	+/- 10V or better at set up

Product shown in this document may be covered by one or more patents, patents applied for and/or registered designs and/or trade marks. For further information please refer to our Head Office or visit www.meech.com.

Product Data Sheet

Published Date: 25.06.2015



Product Code: A261v2-32



Meech International
2 Network Point
Ridge Road, Witney
OX29 9YH, UK
Tel: +44 (0) 1862 708700
Fax: +44 (0) 1862 778077
email: sales@meech.com
web: www.meech.com

COMPLIANT © MEECH STATIC ELIMINATORS
THIS DOCUMENT AND THE INFORMATION
HEREIN IS THE PROPERTY OF THE MEECH
GROUP AND SHOULD NOT BE COPIED IN WHOLE
OR PART OR USED FOR MANUFACTURE OR
OTHERWISE DISCLOSED WITHOUT THE PRIOR
WRITTEN CONSENT OF MEECH INTERNATIONAL

TITLE: 261v2 Standard Nozzle

DRAWING No:
A261v2-32

MATERIAL: Various

FINISH: Various

TOLERANCE UNLESS OTHERWISE SPECIFIED
Machined Work Metric: ±0.1mm
Unmachined Fabrications: ±1mm
Angular: ±0.5°

DIMENSIONS IN MM
DO NOT SCALE
CRITICAL TO FUNCTION
OTHER DIMENSIONS AS
MARKED

PROJECTION
Sheet A4
Scale 2:3

Date: 08/09/2014
Drawn by: David.Hyde

REVISION: A

SHEET: 9 / 19

STATUS: Production

Note : - All of 261 Range is available with or without 6mm push Air fitting
- Removal of Air fitting leaves a 1/4 inch BSP tapped hole

Product shown in this document may be covered by one or more patents, patents applied for and/or registered designs and/or trade marks. For further information please refer to our Head Office or visit www.meech.com.

Meech International

UK: +44 1993 706 700
Hungary: +36 27 535 075

US: +1 330 564 2000
China: +86 400 820 0102

Belgium: +32 8067 0204
India: +91 (0)7030938211

Singapore: +65 65918859

email: sales@meech.com
web: www.meech.com