

261v2 - BULKHEAD Ion Nozzle



Product Code: A261V2-32-BULKHEAD

Meech's Model 261v2-Bulkhead Nozzle provides an easy way to inject ionised air into ducting or enclosures. Compressed air is connected using the 6mm push-fit inlet fitting. The nozzle is mounted through the wall of the duct or enclosure using a threaded boss, pushed through from the inside of the duct.

The nozzle is frequently used to neutralise materials in air-conveying systems to prevent blockages.

It is powered by a Meech Model 233v3, 977CM or 977v3 Pulsed DC Controller.

Features

Benefits

Adjustable balance and frequency (Pulsed DC Controller)	Optimisation of performance and extended ionisation range
Rapid decay times	Very effective in high speed applications
Removable emitter pins	Easy to clean and replace. Minimum maintenance downtime and extended equipment life
Low air consumption	Economical use of compressed air
Small and compact	Easy to locate and install in confined spaces

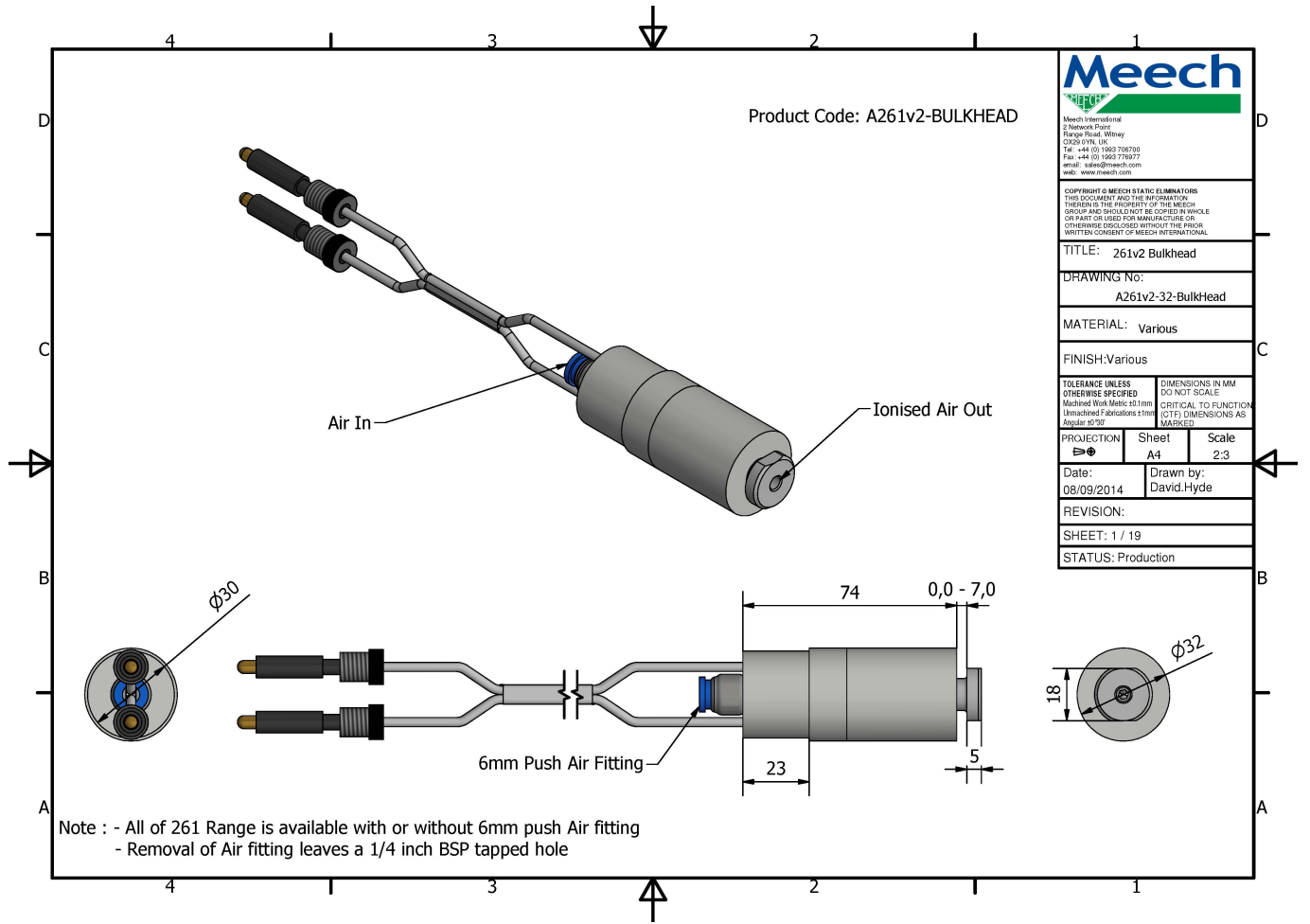
Technical Characteristics

Inlet	6mm Inlet
Outlet	Bulkhead fitting on outlet
Body	PTFE
Length	74mm
Diameter	32mm
Weight	0.06kg (Without bracket)
Max Air Pressure Rating	100Psi (7 bar)
Typical Pressure	7 to 40Psi (0.5 to 3 bar)
Emitter Pins	Machined titanium (7mm)
Decay Time	0.8 sec at 150mm at 30 Psi (2 bar) (1000V to 100V)
Ozone	Less than 0.01 ppm
Input Voltage	+/- 9kV DC Nominal
Ion Balance	+/- 10V or better at set up

Product shown in this document may be covered by one or more patents, patents applied for and/or registered designs and/or trade marks. For further information please refer to our Head Office or visit www.meech.com.

Product Data Sheet

Published Date: 25.06.2015



Product shown in this document may be covered by one or more patents, patents applied for and/or registered designs and/or trade marks. For further information please refer to our Head Office or visit www.meech.com.

Meech International

UK: +44 1993 706 700
Hungary: +36 27 535 075

US: +1 330 564 2000
China: +86 400 820 0102

Belgium: +32 8067 0204
India: +91 (0)7030938211

Singapore: +65 65918859

email: sales@meech.com
web: www.meech.com