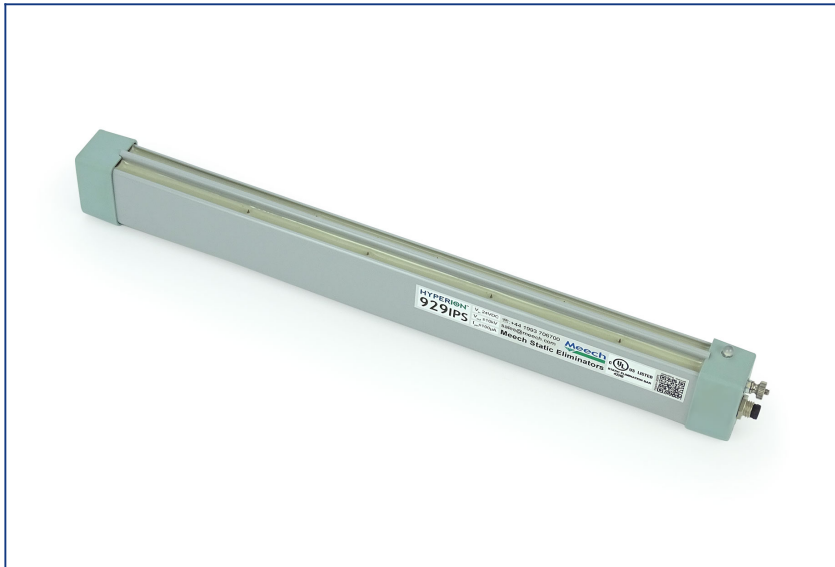


## Hyperion 929IPS Mid-Range Pulsed DC Ionising Bar



**Product Code:** 929IPS

With dimensions of just 26mm (W) x 43mm (H), the Hyperion 929IPS is easily installed onto printing and converting machinery. The class-leading +/-10kV pulsed DC output provides extremely powerful ionisation.

The 929IPS features Meech's Ion Current Monitoring (ICM) technology, which ensures performance is maintained with local and remote alerts when the bar needs cleaning.

**News:** "RPC employs Meech Static Control bars for its plastic packaging lines."

**News:** "Werosys incorporates Meech's Hyperion bars into intelligent converting environment."

### Features

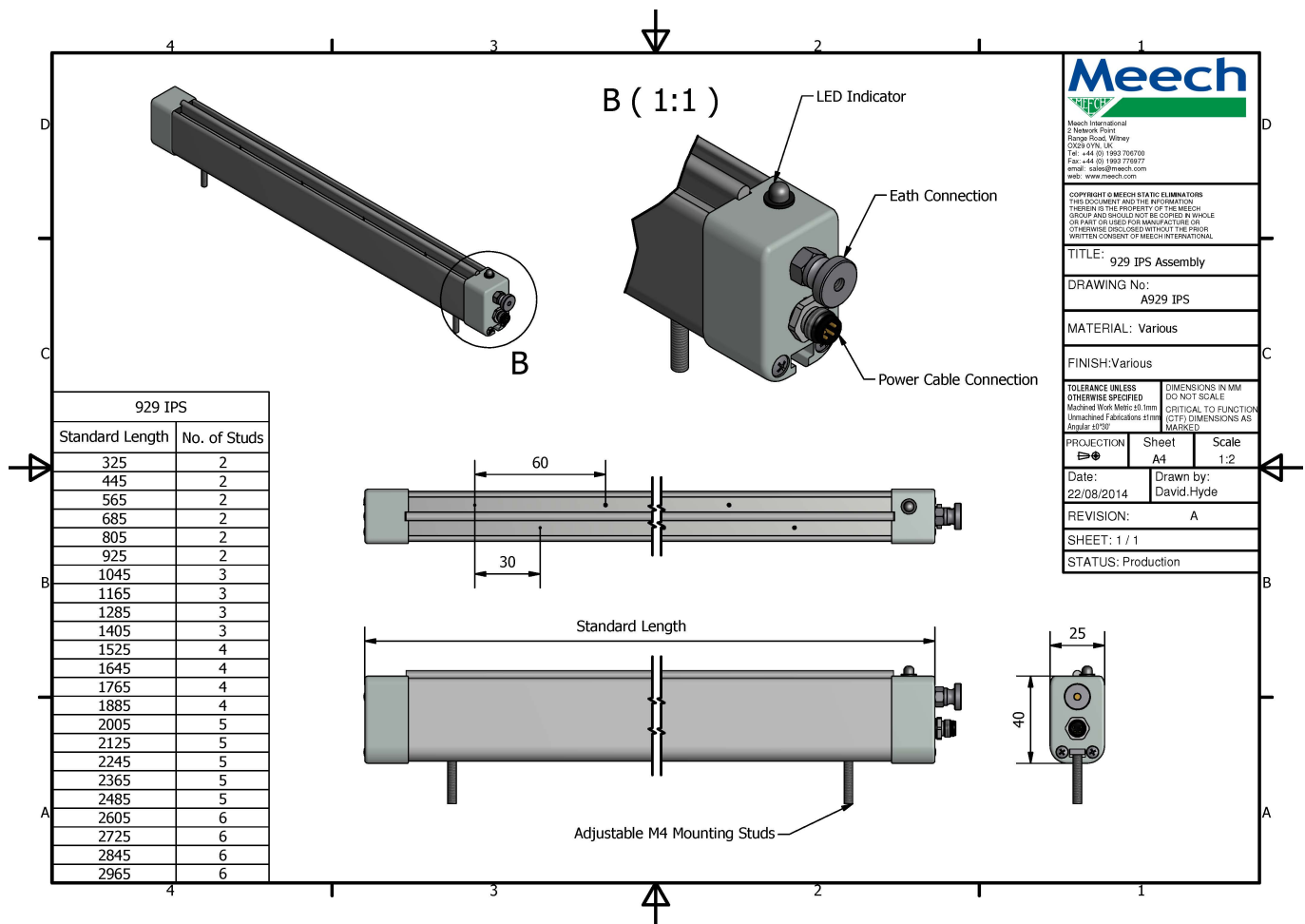
### Benefits

Low Voltage Wiring	Requiring a 24V DC supply removes the need for high voltage wiring to the ionising bar.
Integrated Power Supply (IPS)	The integral pulsed DC power supply uses surface-mount high voltage components. This reduces the overall size of the bar.
Adjustable Output	Frequency and balance can be adjusted with the BarMaster programmer.
Adjustable Clean Pin Alert	Meech Ion Current Monitoring (ICM) technology detects when the 929IPS needs to be cleaned. The LED on the bar alerts operators of the need for cleaning. This ensures peak performance is maintained.
Environmental Protection	IP66 construction makes the bar suitable for harsh environments.
Remote Signal	An output signal will activate when the bar needs cleaning or a fault has been detected. This will alert operators remotely to attend the bar.
Shockless Titanium Emitters	Virtually indestructible and safe to handle, will ensure many years' service.
Optimum Working Distance	100-500mm; suitable for mid range applications, such as reducing the static charge on blow moulded bottles or printing presses.

Product shown in this document may be covered by one or more patents, patents applied for and/or registered designs and/or trade marks. For further information please refer to our Head Office or visit [www.meech.com](http://www.meech.com).

## Technical Characteristics

Dimensions (WxH)	26mm x 43mm
Maximum Length	2965mm
Weight	0.9kg/metre
Construction	PVC/FR ABS
Input Voltage and Current	24V DC (21-27V DC) Max 500mA
Output Voltage	+/- 10kV pulsed DC
Electrical Connection	4 pole M8
Environmental Protection	IP66
Mounting	'T' Slot with M4 x 20mm studs
Emitters	Sharp Titanium Pins
Output Frequency	Default: 5Hz (Adjustable with BarMaster)
Output Balance	Default: 52% Positive, 48% Negative (Adjustable with BarMaster)
Max Ambient Temperature	60°C
Certifications	CE, UL.



**Meech**  
Meech International  
2 Network Point  
Range Road, Winyay  
OX28 0YN, UK  
Tel: +44 (0) 1993 776700  
Fax: +44 (0) 1993 776977  
email: sales@meech.com  
web: www.meech.com

COPYRIGHT © MEECH-STATIC ELIMINATORS  
THIS DOCUMENT AND THE INFORMATION  
HEREIN IS THE PROPERTY OF THE MEECH  
GROUP AND SHOULD NOT BE COPIED IN WHOLE  
OR PART OR USED FOR MANUFACTURE OR  
OTHERWISE CIRCULATED WITHOUT THE PRIOR  
WRITTEN CONSENT OF MEECH INTERNATIONAL

**TITLE:** 929 IPS Assembly  
**DRAWING No:** A929 IPS  
**MATERIAL:** Various  
**FINISH:** Various

TOLERANCE UNLESS OTHERWISE SPECIFIED  
Machined Work Metric ±0.1mm  
Unmachined Fabrications ±1mm  
Angular ±0.5°      DIMENSIONS IN MM  
DO NOT SCALE  
CRITICAL TO FUNCTION  
(CTF) DIMENSIONS AS  
MARKED

**PROJECTION:**      **Sheet:** A4      **Scale:** 1:2

**Date:** 22/08/2014      **Drawn by:** David Hyde

**REVISION:** A

**SHEET:** 1 / 1

**STATUS:** Production

Product shown in this document may be covered by one or more patents, patents applied for and/or registered designs and/or trade marks. For further information please refer to our Head Office or visit [www.meech.com](http://www.meech.com).